

Fig.1

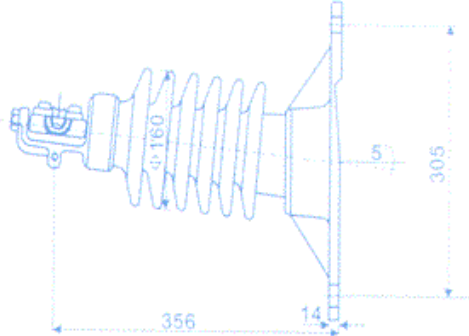


Fig.2

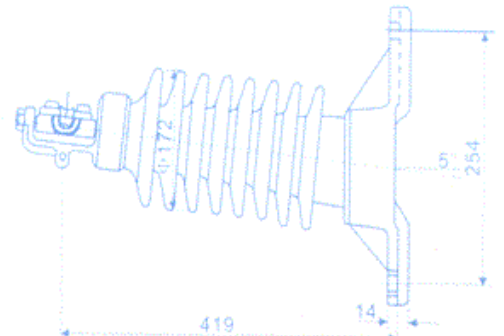


Fig.3

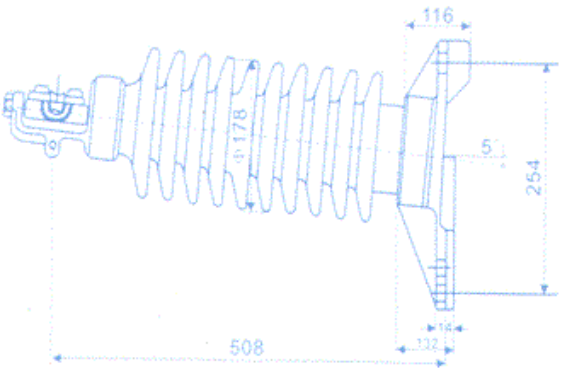


Fig.4

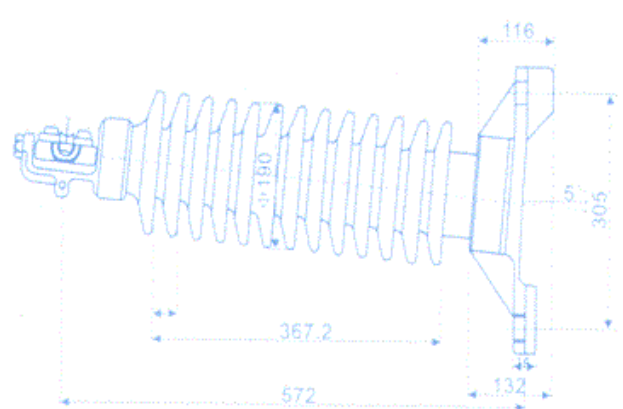


Fig.5

DINENSTIONS

ANSI	57-31	57-32	57-33	57-34	57-35
1	2	3	4	5	
356	559	737	1016	1143	
165	241	311	368	438	
12.5	12.5	12.5	12.5	12.5	
flashover	70	100	125	140	160
	50	70	95	110	130
	120	160	200	230	265
	155	205	260	340	380
15	22	30	44	44	
RIV 1.000	100	100	200	200	200
approx./kg	9.5	12.5	15.7	18.8	21.5