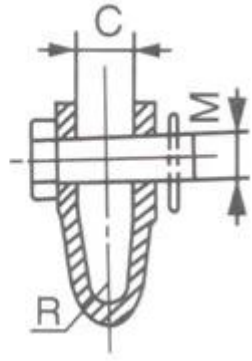
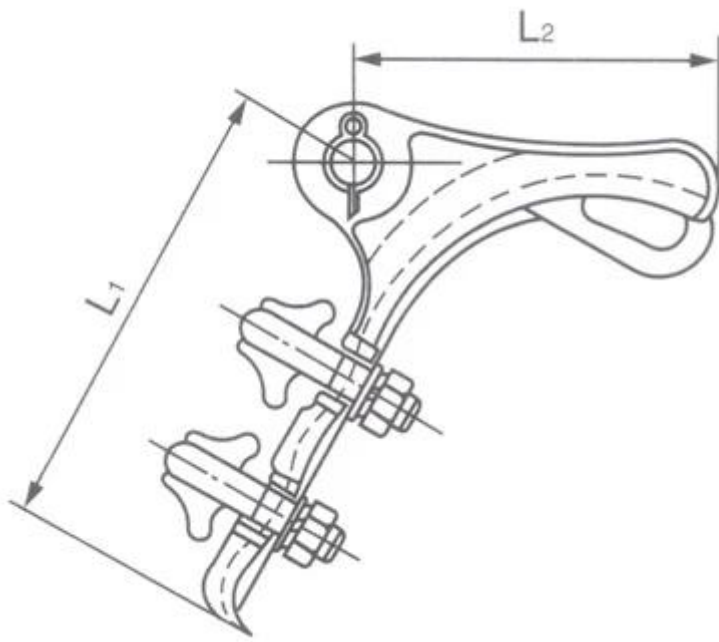


Part No.	Part Name	Dimensions (mm)				U Hole Count	U.T.S (N)	Weight (g)
		Ø	C	L ₁	L ₂			
1-00000000	5x1-11x4	16	19	126	108	2	40	0.5
2-00000000	10x9-15x5	16	24	176	187	2	40	1.8
3-00000000	15x0-21x0	16	17.5	190	203	3	70	1.9
4-00000000	18x1-24x8	16	30	298	284	4	90	4.1
5-00000000	24x0-30x0	24	36	446	342	5	120	7.0
1-00000000A	4x57-13x21	16	16	114	137	2	35	1.0
5-00000000A	8x0-30x0	18	32	190	238	3	80	3.5
6-00000000A	30x0-38x0	18	39	260	245	3	80	4.2

This drawing is for reference only. The actual dimensions and specifications of the cotter pins are subject to change without notice.



No. Part	Description (Part Name)	Dimensions (mm)					Material		U.T.S (MPa)	Weight (g)
		M	C	L ₁	L ₂	R	Material	Material		
1-Cotter Pin	5-10mm	16	18	150	120	6.5	2	12	20	1.3
2-Cotter Pin	10-14mm	16	18	205	130	6.5	3	12	40	2.1
3-Cotter Pin	14-18mm	18	22	310	160	11.0	4	16	70	4.6
4-Cotter Pin	18-23mm	18	25	410	220	12.5	4	16	90	7.1

Material: Cotter pins are made of stainless steel.

Material: Cotter pins are made of stainless steel.