

Fig1

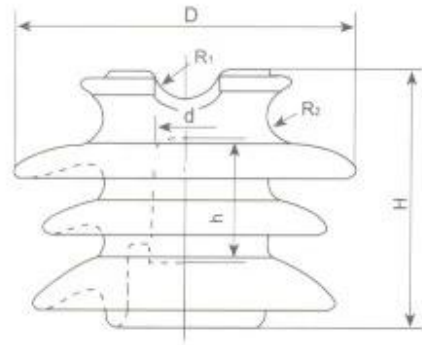


Fig2

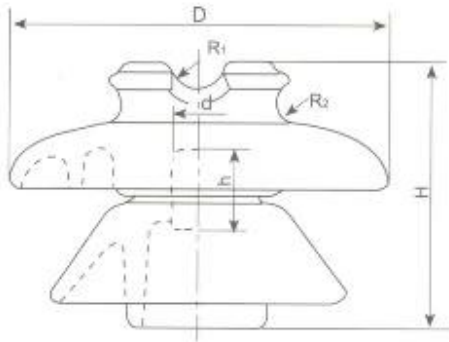


Fig3

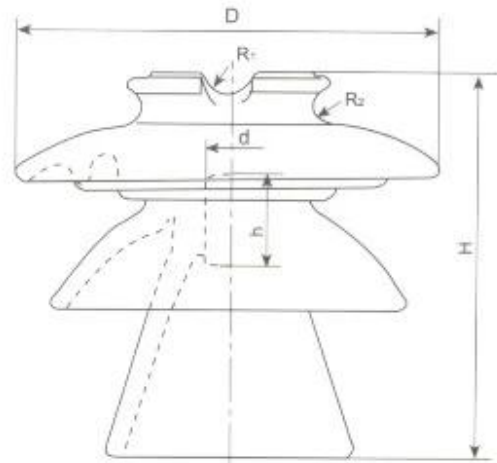


Fig4

ANSI												
ANSI			H						R1	R2		
			H	H	d	d						
M10K15 56-1		1/2	5 3/4	2	7 1/2	1 3/8	3/4	9/16	6	13	7	
M10K16 56-1		1/2	5 3/4	2	7 1/2	1 3/8	3/4	9/16	6	13	7	
M10K17 56-2		1/2	6 1/2	2	9	1 3/8	3/4	9/16	7	17	8 1/4	
M10K18 56-2		1/2	6 1/2	2	9	1 3/8	3/4	9/16	7	17	8 1/4	
M10K19 56-3		3	7 1/2	2	10 1/2	1 3/8	3/4	9/16	8	21	9 1/2	
M10K20 56-3		3	7 1/2	2	10 1/2	1 3/8	3/4	9/16	8	21	9 1/2	
M10K21 56-4		3	9 1/2	2	12	1 3/8	3/4	9/16	10	27	4 1/4	
M10K22 56-4		3	9 1/2	2	12	1 3/8	3/4	9/16	10	27	11 1/4	
M10K23 56-5		4	12 1/2	2 1/2	13 1/2	1 3/8	3/4	9/16	12	34	14	
M10K24 56-5		4	12 1/2	2 1/2	13 1/2	1 3/8	3/4	9/16	12	34	14	
M10K25		1	6 1/2	2	9	1 3/8	3/4	9/16	6	13	7	
M10K26		1	6 1/2	2	9	1 3/8	3/4	9/16	6	13	7	

ANSI	H			H			R1		R2		No.used
	H	H	d	H	H	d	R1	R2			
M10K15 56-1	95	60	130	150	190	15	8000	2500	P1-23-M		
M10K16 56-1	95	60	130	150	190	15	100	2500	P1-23-M		
M10K17 56-2	110	70	145	175	225	22	12000	3000	P2-23-M		
M10K18 56-2	110	70	145	175	225	22	100	3000	P2-23-M		
M10K19 56-3	125	80	165	200	265		16000	3000	P-35-M		
M10K20 56-3	125	80	165	200	265		200	3000	P-35-M		
M10K21 56-4	140	95	185	225	310		16000	3000	P-46-M		
M10K22 56-4	140	95	185	225	310		200	3000	P-46-M		
M10K23 56-5	175	125	225	270	340	44	25000	3000	P-69-M		
M10K24 56-5	175	125	225	270	340	44	200	3000	P-69-M		
M10K25	95	60	130	150	190	15	8000	2500	P-23-M		
M10K26	95	60	130	150	190	15	100	2500	P-23-M		