

Fig1

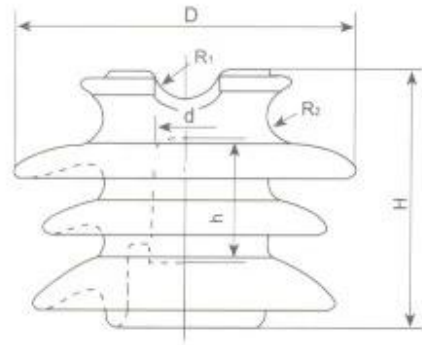


Fig2

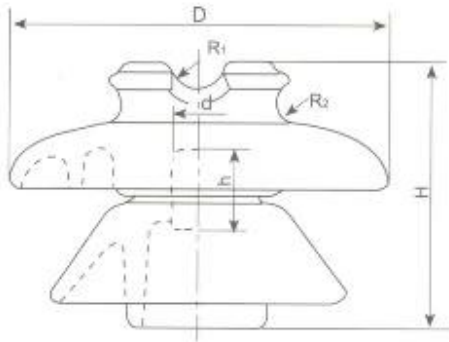


Fig3

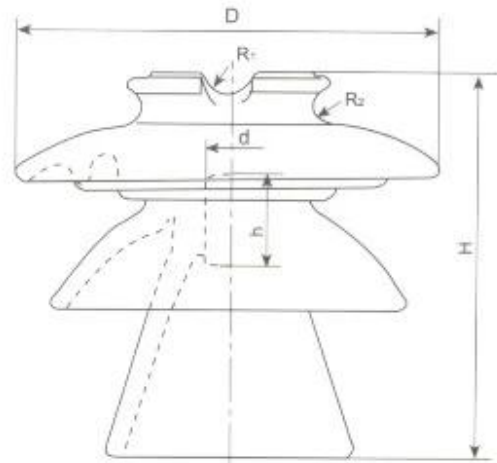


Fig4

PRINCIPALE DIMENSIONI E PARTICOLARI STANDARD

Cat.No. Classe ANSI	Smalto	Fig. No.	Dimensioni principali in						Minimo altezza pin in	Distanza di dispersione in	Distanza di archi asciutta in
			H	h	D	d	R1	R2			
M10K15 (56-1)	pianura	1/2	5 3/4	2	7 1/2	1 3/8	3/4	9/16	6	13	7
M10K16 (56-1)	Radio liberata	1/2	5 3/4	2	7 1/2	1 3/8	3/4	9/16	6	13	7
M10K17 (56-2)	pianura	1/2	6 1/2	2	9	1 3/8	3/4	9/16	7	17	8 1/4
M10K18 (56-2)	Radio liberata	1/2	6 1/2	2	9	1 3/8	3/4	9/16	7	17	8 1/4
M10K19 (56-3)	pianura	3	7 1/2	2	10 1/2	1 3/8	3/4	9/16	8	21	9 1/2
M10K20 (56-3)	Radio liberata	3	7 1/2	2	10 1/2	1 3/8	3/4	9/16	8	21	9 1/2
M10K21 (56-4)	pianura	3	9 1/2	2	12	1 3/8	3/4	9/16	10	27	11 1/4
M10K22 (56-4)	Radio liberata	3	9 1/2	2	12	1 3/8	3/4	9/16	10	27	11 1/4
M10K23 (56-5)	pianura	4	12 1/2	2 1/2	13 1/2	1 3/8	3/4	9/16	12	34	14
M10K24 (56-5)	Radio liberata	4	12 1/2	2 1/2	13 1/2	1 3/8	3/4	9/16	12	34	14
M10K25	pianura	1	6 1/2	2	9	1 3/8	3/4	9/16	6	13	7
M10K26	Radio liberata	1	6 1/2	2	9	1 3/8	3/4	9/16	6	13	7

Cat.No. Classe ANSI	Tensione a bassa frequenza kV			Critico-impulso tensione del flashover kV		Radio-influenza voltage		Forza a sbalzo libbre.	No.used prima
	Flashover secco	Flashover bagnato	foratura	Positivo	Negativo	Test a bassa frequenza tensione a terra kV	RIV massimo a 1000kHz mV		
M10K15 (56-1)	95	60	130	150	190	15	8000	2500	P1-23-M
M10K16 (56-1)	95	60	130	150	190	15	100	2500	P1-23-M
M10K17 (56-2)	110	70	145	175	225	22	12000	3000	P2-23-M
M10K18 (56-2)	110	70	145	175	225	22	100	3000	P2-23-M
M10K19 (56-3)	125	80	165	200	265	30	16000	3000	P-35-M
M10K20 (56-3)	125	80	165	200	265	30	200	3000	P-35-M
M10K21 (56-4)	140	95	185	225	310	30	16000	3000	P-46-M
M10K22 (56-4)	140	95	185	225	310	30	200	3000	P-46-M
M10K23 (56-5)	175	125	225	270	340	44	25000	3000	P-69-M
M10K24 (56-5)	175	125	225	270	340	44	200	3000	P-69-M
M10K25	95	60	130	150	190	15	8000	2500	P-23-M
M10K26	95	60	130	150	190	15	100	2500	P-23-M