

Fig1

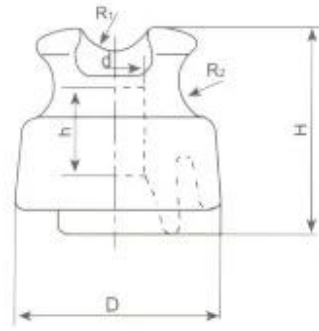


Fig2

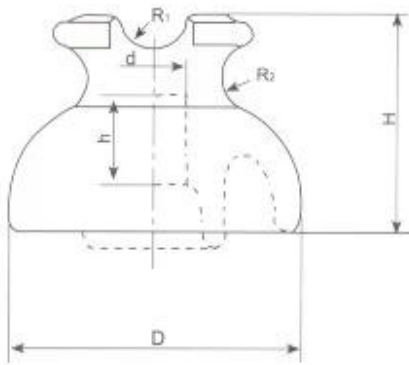


Fig3

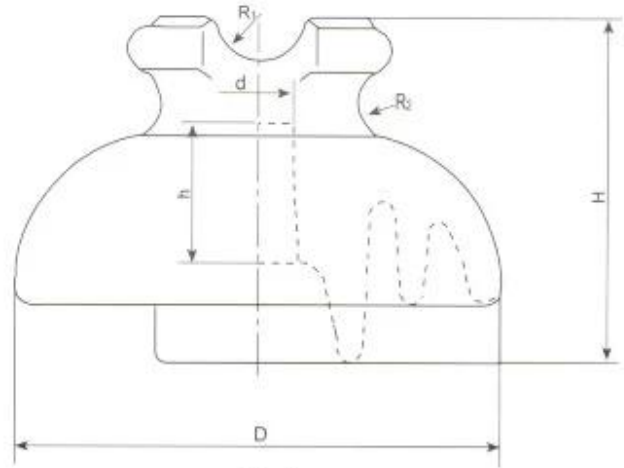


Fig4

□□ □□ □ □□ □□

Cat.No. □□□ ANSI	□□□□	□□ □□	□□ □□					□□□□		□□ □□	□□ □□	□□ □□
			H	h	□	□	R1	R2	...□□			
M10K01 (55-1)	□□	1	□ 1/2	1 3/4	□ 1/4	1		1/2	4	4	2 1/4	
M10K02 (55-1)	□□□□ □□□□ □□.	1	□ 1/2	1 3/4	□ 1/4	1		1/2	4	4	2 1/4	
M10K03 (55-2)	□□	2	□ 1/4	1 1/2	□ 3/4	1	5/8	5/8	4	5	□ 3/8	
M10K04 (55-2)	□□□□ □□□□ □□.	2	□ 1/4	1 1/2	□ 3/4	1	5/8	5/8	4	5	□ 3/8	
M10K05 (55-3)	□□	□	□ 3/4	1 1/2	4 3/4	1	9/16	9/16	5	7	4 1/2	
M10K06 (55-3)	□□□□ □□□□ □□.	□	4 3/8	1 1/2	4 3/4	1	9/16	9/16	5	7	4 1/2	
M10K07 (55-4)	□□	4	4 3/8	1 3/4	5 1/2	1	1	9/16	5	9	5	
M10K08 (55-4)	□□□□ □□□□ □□.	4	4 7/8	1 3/4	5 1/2	1	1	9/16	5	9	5	
M10K09 (55-5)	□□	4	4 7/8	2	7	1	1	9/16	6	12	6 1/4	
M10K10 (55-5)	□□□□ □□□□ □□.	4	5 1/2	2	7	1	1	9/16	6	12	6 1/4	
M10K11 (55-6)	□□	4	5 1/2	2 1/4	8 3/8	1	1	5/8	7 1/2	15 □	8	
M10K12 (55-6)	□□□□ □□□□ □□.	4	5 1/2	2 1/4	8 3/8	1	1	5/8	7 1/2	15 □	8	
M10K13 (55-7)	□□	4	5 1/2	2 1/4	8 3/8	1 3/8	1	5/8	7 1/2	15 □	8	
M10K14 (55-7)	□□□□ □□□□ □□.	4	5 1/2	2 1/4	8 3/8	1 3/8	1	5/8	7 1/2	15 □	8	

Cat.No. ANSI	V			V		V		RIV	M
M10K01 (55-1)	35	20	50	50	70	5	2500	3000	P-3-M
M10K02 (55-1)	35	20	50	50	70	5	50	3000	P-3-M
M10K03 (55-2)	50	25	70	75	95	5	2500	2500	P-6-M
M10K04 (55-2)	45	25	70	70	85	5	20	2500	P 6-M
M10K05 (55-3)	65	35	90	100	130	10	5500	2500	2-10-M
M10K06 (55-3)	55	30	90	90	110	10	50	2500	2-10-M
M10K07 (55-4)	70	40	95	110	140	10	5500	3000	P-10-M
M10K08 (55-4)	65	35	95	105	130	10	50	3000	P-10-M
M10K09 (55-5)	85	45	115	140	170	15	8000	3000	P-15-M
M10K10 (55-5)	80	45	115	130	150	15	100	3000	P-15-M
M10K11 (55-6)	100	50	135	150	170	22	8000	3000	P-22-M
M10K12 (55-6)			135			22	100	3000	P-22-M
M10K13 (55-7)	100	50	135	150	170	22	8000	3000	1-22-M
M10K14 (55-7)			135			22	100	3000	1-22-M