

Fig1

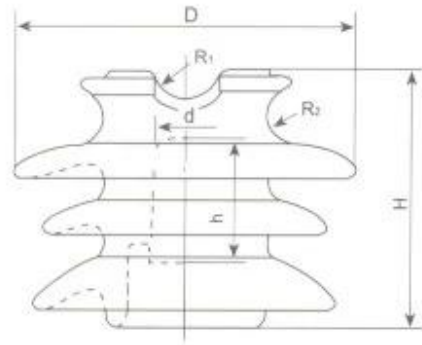


Fig2

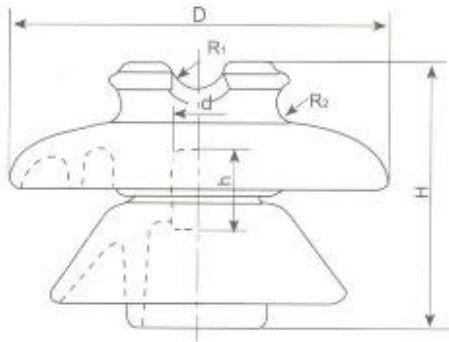


Fig3

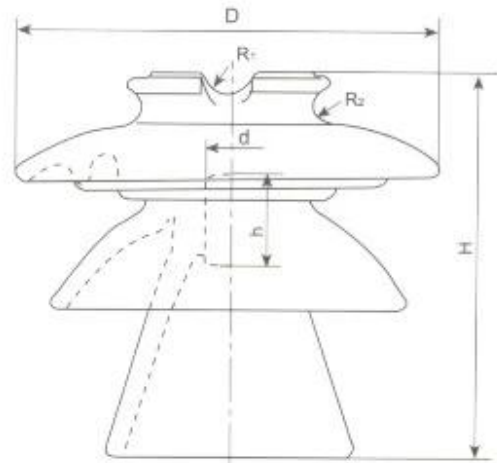


Fig4

Cat.No. ANSI	H	h	...				R1	R2
			H	h							
M10K15 (56-1)	1/2	2	5 3/4	2	7 1/2	1 3/8	3/4	9/16	6	13	7
M10K16 (56-1)	1/2	2	5 3/4	2	7 1/2	1 3/8	3/4	9/16	6	13	7
M10K17 (56-2)	1/2	2	6 1/2	2	9	1 3/8	3/4	9/16	7	17	8 1/4
M10K18 (56-2)	1/2	2	6 1/2	2	9	1 3/8	3/4	9/16	7	17	8 1/4
M10K19 (56-3)		2	7 1/2	2	10 1	1 3/8	3/4	9/16	8	21	9 1/2
M10K20 (56-3)		2	7 1/2	2	10 1	1 3/8	3/4	9/16	8	21	9 1/2
M10K21 (56-4)		2	9 1/2	2	12	1 3/8	3/4	9/16	10	27	11 1/4
M10K22 (56-4)		2	9 1/2	2	12	1 3/8	3/4	9/16	10	27	11 1/4
M10K23 (56-5)	4	2 1/2	12 1/2	2 1/2	13 1/2	1 3/8	3/4	9/16	12	34	14
M10K24 (56-5)	4	2 1/2	12 1/2	2 1/2	13 1/2	1 3/8	3/4	9/16	12	34	14
M10K25	1	2	6 1/2	2	9	1 3/8	3/4	9/16	6	13	7
M10K26	1	2	6 1/2	2	9	1 3/8	3/4	9/16	6	13	7

Cat.No. ANSI
			
M10K15 (56-1)	95	60	130	150	190	15	8000	2500	P1-23-M
M10K16 (56-1)	95	60	130	150	190	15	100	2500	P1-23-M
M10K17 (56-2)	110	70	145	175	225	22	12000	3000	P2-23-M
M10K18 (56-2)	110	70	145	175	225	22	100	3000	P2-23-M
M10K19 (56-3)	125	80	165	200	265	30	16000	3000	P-35-M
M10K20 (56-3)	125	80	165	200	265	30	200	3000	P-35-M
M10K21 (56-4)	140	95	185	225	310	30	16000	3000	P-46-M
M10K22 (56-4)	140	95	185	225	310	30	200	3000	P-46-M
M10K23 (56-5)	175	125	225	270	340	44	25000	3000	P-69-M
M10K24 (56-5)	175	125	225	270	340	44	200	3000	P-69-M
M10K25	95	60	130	150	190	15	8000	2500	P-23-M
M10K26	95	60	130	150	190	15	100	2500	P-23-M