

Fig1

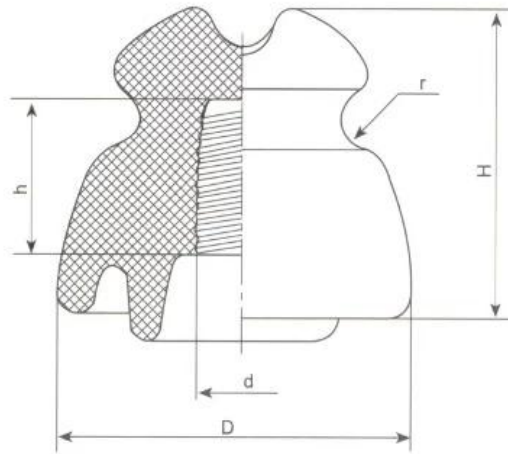
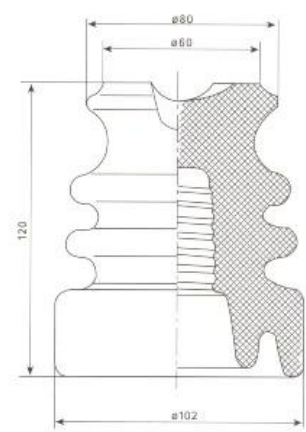


Fig2



N95-3

Type	N95-3	
Voltage rating	15Kv	
Power frequency voltage	Day Wet	70kV 45kV
Low frequency puncture voltage	95kV	
Critical impulse flashover(1.2x50s)	Positive Negative	150kV 140kV
Leakage distance	230mm	
Cantilever Failing load	13.6kN	

MAIN DIMENSTIONS AND STANDARD PARTICULARS

Fig.No		2	2	2	1	1	1
Type		CN918	CN919	CN920	CN45	CN46	CN48
Main Dimensions	H mm	75	95	120	145	160	205
	D mm	80	105	135	135	160	178
	d mm	23	26	26	26/28	26/28	28/30
	h mm	33	48	48	60	80	85
	r mm	7	9	12	9	9	10
Leakage distance				200	320	440	
Low-frequency flashover	Dry	40	50	55	75	85	100
	Wet	12	20	30	55	65	75
Puncture voltage(kV)				110	120	135	
Cantilever failing load(dan)		600	900	1500	1500	1800	2000
Weight(kg)		0.40	0.90	1.6	1.6	2.18	3.14