

Fig.1

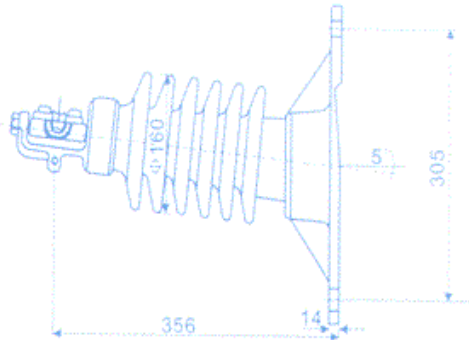


Fig.2

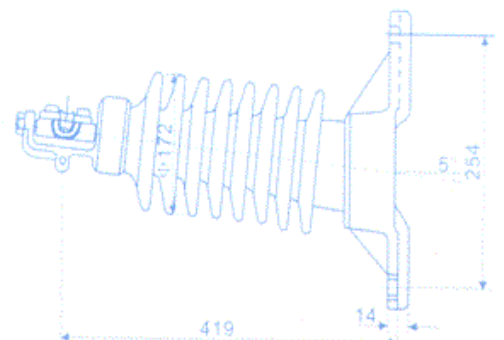


Fig.3

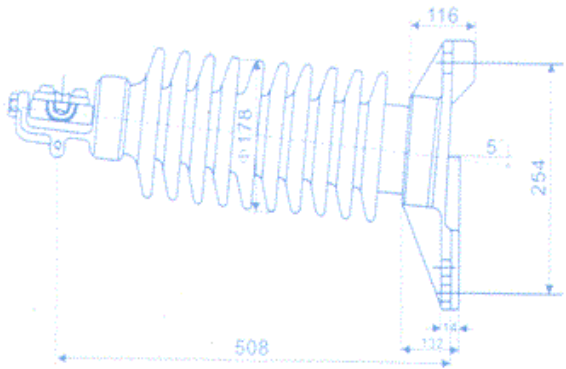


Fig.4

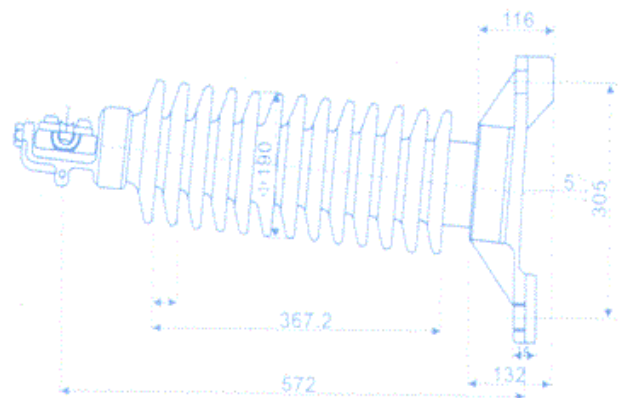


Fig.5

MAIN DIMENSTIONS AND STANDARD PARTICULARS

ANSI Class	57 -31		57-32	57-33	57-34	57-35	
Fig. No.	1		2	3	4	5	
Leakage distance/ mm	356		559	737	1016	1143	
Dry arcing distance/ mm	165		241	311	368	438	
Cantilever strength/ kN	12.5		12.5	12.5	12.5	12.5	
Average flashover voltage	Low-frequency	Dry/kV	70	100	125	140	160
		Wet/kV	50	70	95	110	130
	Critical-impulse	Positive/ kV	120	160	200	230	265
		Negative/ kV	155	205	260	340	380
Radio-influence voltage date	Test voltage to Ground/ kV	15	22	30	44	44	
	Maximum RIV at 1.000kc/μV	100	100	200	200	200	
Net weight each approx./kg	9.5		12.5	15.7	18.8	21.5	